



YorkWrap™

Isolation Tape

If metal's part of your structure, YorkWrap™ should be part of your plan.

Key Properties

Corrosion can happen wherever pressure-treated lumber comes into contact with galvanized metal. Because that can happen in so many places — at all joists, post anchors, and skirt boards of steel-sided buildings — it's a good idea to complement your flashing with our latest innovation.

YorkWrap™ Non-adhesive Polymeric Isolation Tape* is a flexible sheet of cross woven polyethylene designed to isolate ACQ pressure-treated lumber from galvanized metals in an economical way to prevent the corrosive effects of incompatible materials and stop potential moisture problems, too. **YorkWrap™** also provides superior moisture protection for decking applications.

Essential protection for pressure-treated structural elements.

- Protects wood and galvanized metals from corrosion and deterioration
- Maintains structural integrity by protecting against moisture between the deck and joists
- Protects joist tops and ends from excess moisture and rotting
- Available in a variety of widths to suit several applications
- Will not crack or flake in temperatures as low as -20°, and is resistant to acids, alkalis, and caustics



Available in:

3-1/2", 7-1/2" x 150'

Custom sizes upon request.

Superior protection for decking applications.

• Deck Joist Hanger Protection:

1. Wrap end of joist and staple to hold in place before setting in joist bracket to separate hanger from pressure-treated wood.
2. Proceed with deck joist protection.

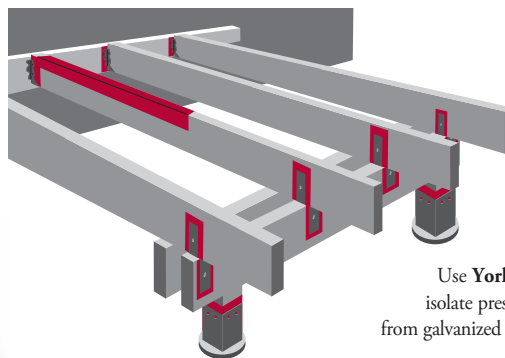
• Deck Joist Protection:

1. Roll out strips of **YorkWrap™** the length of the top of the joist and staple into place.
2. Install decking as usual.

• Deck Post Protection:

1. Attach base/anchor to footing as usual.
2. Using the correct size **YorkWrap™**, cut pieces long enough to line post from slightly above top of the anchor, down one side, across bottom of post and up opposite side to slightly above top of galvanized anchor. **YorkWrap™** is available in widths suitable for common post dimensions.
3. Carefully holding **YorkWrap™** in place, insert post into anchor, making sure **YorkWrap™** forms a barrier between the wood and galvanized metal. Attach using stainless steel fasteners if possible.
4. Trim **YorkWrap™** flush with top of galvanized post anchors for better appearance.

The difference between ordinary installations and true craftsmanship.



Use **YorkWrap™** on decks to isolate pressure-treated framing from galvanized hangers and anchors

**YorkWrap™ is not a substitute for flashing and is not warranted as such. It is an isolation membrane designed to use in conjunction with flashing.*

Skirt Board usage of YorkWrap™

YorkWrap™
isolation for steel
against treated
skirt boards

YorkWrap™ as a
water diverter is
available in
36", 48", & 54" wide



Use YorkWrap™ on Steel Buildings

Keeps pressure-treated skirt boards from coming into contact with galvanized sheathing.

Skirt Board Protection:

1. Install pressure-treated skirt board as usual.
2. Before installation of siding and/or drip edge, lay **YorkWrap™** of suitable width to completely cover the board, including the top edge, and staple on the top edge to secure it into place.
3. Install siding and drip edge as usual.
We recommend the use of stainless steel fasteners in the skirt board.
4. With a utility knife, trim **YorkWrap™** flush with the bottom of the drip edge.

***For more protection, YorkWrap™ is available in 36", 48", and 54" widths.*

Use YorkWrap™ on Foundations

For frost damage protection, use **YorkWrap™** as a below-grade water diverter to help prevent seepage of run-off under the slab that can cause cracking or buckling in extremely cold climates. (36", 48", and 54" widths are available for water diversion.)

Frost Protection:

1. Purchase **YorkWrap™** in a width appropriate for your application, 36", 48", or 54" wide. Use as a skirt board protector and extend the bottom edge down and out below grade from the slab edge to catch and divert run-off away from the building.
2. Attach 36" wide (minimum**) **YorkWrap™** to the top edge of the skirt board as in steel building application.
3. Remove fill from around the slab at least 6" deep and 24" out radially from the edge of the slab. Allow the free edge of the membrane to extend to its full width across the area.
4. Install siding and drip edge as usual.
5. Replace the fill making sure to position the fill against the slab to cover the exposed membrane. Crushed stone may also be used for this purpose.

YorkWrap™ is not a substitute for flashing. It is an isolation membrane designed to use in conjunction with flashing.