



METAL PANEL HEMMING TOOL

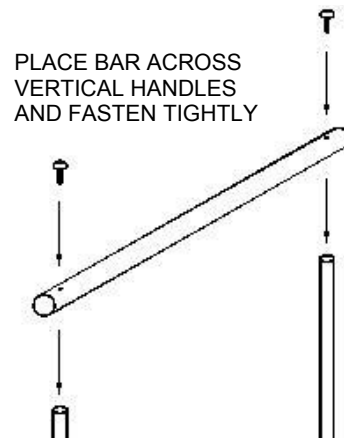
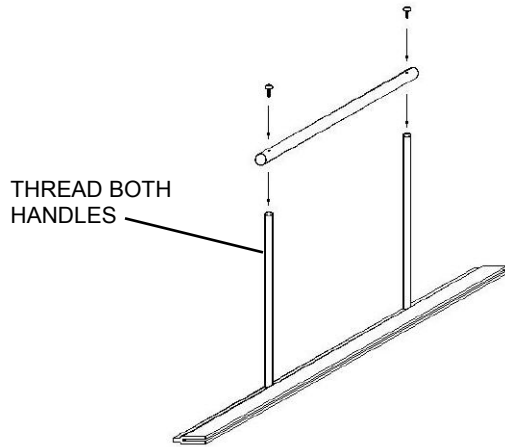
13125 Deer Lake Dr., Memphis, IN 47143
(812) 248-4788 www.metaltools.com

24" WIDE HANDLE

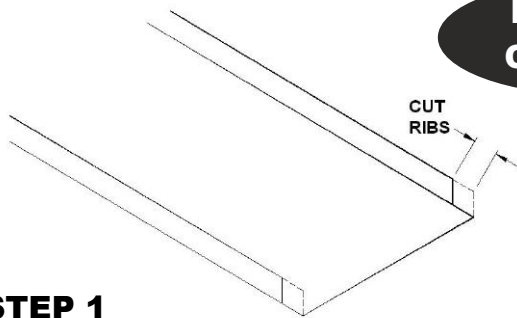
RECOMMENDED INSTRUCTIONS

ASSEMBLY

THREAD BOTH HANDLES INTO TOOL ON SAME SIDE THAT LABEL IS AND FIRMLY TIGHTEN. PLACE BAR ACROSS BOTH HANDLES AND FASTEN WITH ENCLOSED SCREWS.

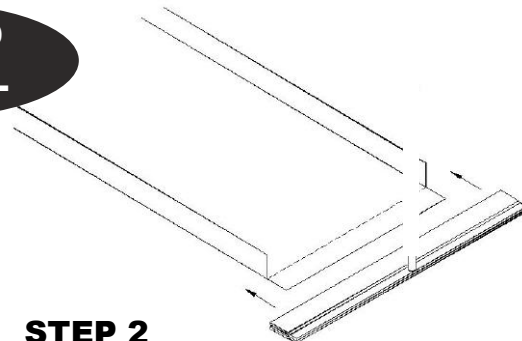


LOW END OF PANEL



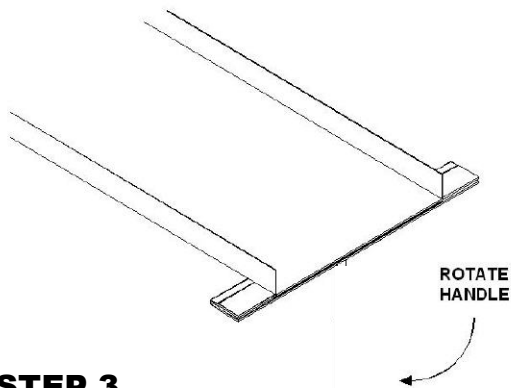
STEP 1

Cut and remove panel ribs only. (1"-1.5" typical)



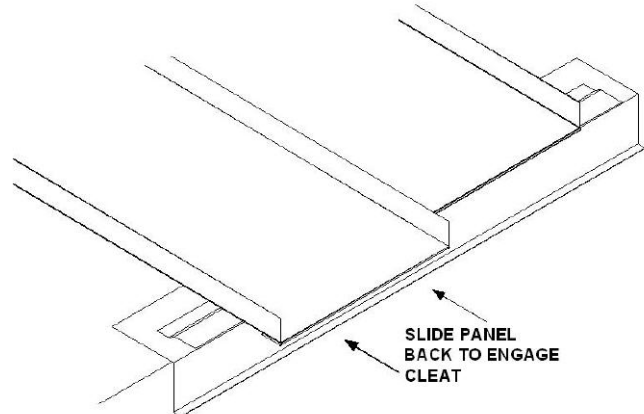
STEP 2

Insert hemming tool on to panel using cut panel ribs as a back stop.



STEP 3

Rotate hemming tool handle to form hem.



STEP 4

Engage hemmed panel into cleat at the eave or valley.

Notes: *Hemming Tool will bend roofing panels up to 24ga. thickness.

IMPORTANT INFORMATION

STUDY APPLICABLE OSHA AND OTHER SAFETY REQUIREMENTS BEFORE FOLLOWING THESE RECOMMENDED INSTRUCTIONS

Field hemming the metal roofing panels should only be done by trained knowledgeable installer using extreme care. It is not possible for J.S. Design to be aware of all the possible jobsite situations that could cause an unsafe condition to exist. The installer of the roof panels is responsible for reading supplied instructions and determining the safest way to field hem the roofing panels.

These instructions are provided only as a guide to show a knowledgeable trained installer the correct method of field hemming metal roofing panels. If following any of the field hemming steps would endanger a worker, the installer should stop work and decide upon a corrective action.

Gloves, hard hats, eye protection, safety shoes, and appropriate clothing should be worn during installation of metal panels.

DO NOT place the hemming tool on the roof. Like any item on a sloped roof it could slide off and injure someone below.

DO NOT use hemming tool in any other manner than what it is intended for.

DO NOT use hemming tool to support your weight.

USE EXTREME CARE WHILE FIELD HEMMING METAL ROOFING PANELS

J.S. Design makes no warranty, either express or implied and disclaims any and all representations or warranties implied, expressed or statutory, including, but not limited to any expressed or implied warranty of merchantability, suitability, condition, fitness quality, latent defects in material or workmanship, compliance with the requirements of any law, regulations, specifications or contracts, or any other obligation on the part of J.S. Design.