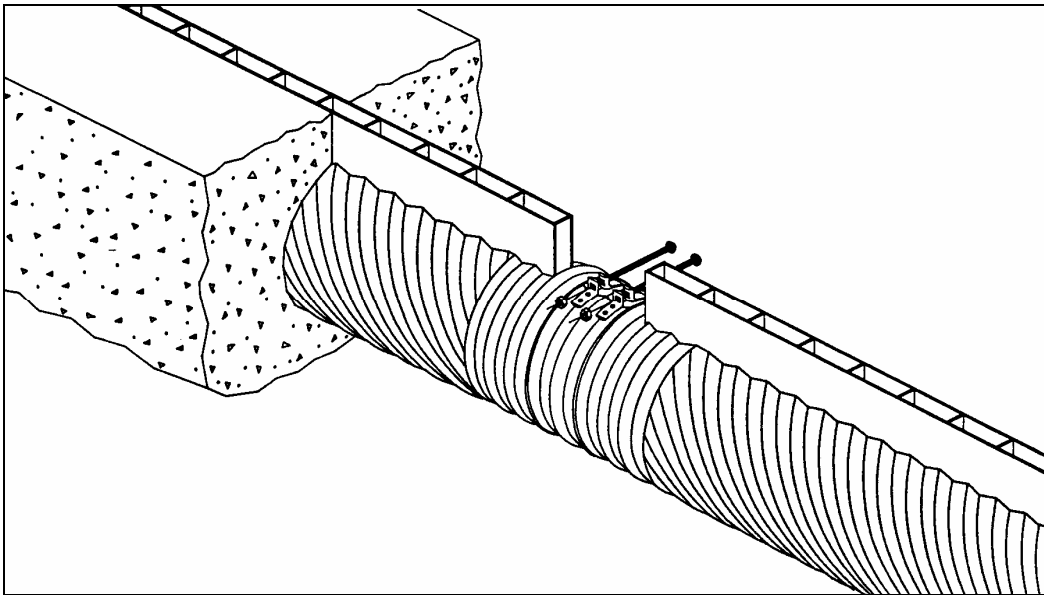




BRIDGE AND SUPPLY COMPANY

SLOTTED DRAIN PIPE



Jensen Bridge & Supply Company's Slotted Drain Pipe is designed to effectively collect surface drainage from flat slope areas, sag inlets, or curb and gutter installations.

PRODUCT DETAILS

Jensen Bridge & Supply Company Slotted Drain Pipe is manufactured from Corrugated Steel Pipe and is available in 12 inch through 30 inch diameters in 16 gauge or 14 gauge. Standard slot heights are 2-1/2 inches and 6 inches. Other heights are available on request where special designs require. In area of high pedestrian or bicycle traffic an expanded metal mesh can be installed on top of the slot to prevent shoe heels or bicycle tires from entering or being caught. The standard 20 foot lengths of slotted drain pipe are joined by using the standard connecting bands for corrugated steel pipe. A complete line of fittings and accessories are available just as with our standard corrugated steel pipe. All components are galvanized.

INSTALLATION

When properly installed, Jensen Bridge & Supply Company's Slotted Drain Pipe will provide an attractive, safe, and durable system.

After the trench is prepared the lengths of slotted drain pipe are placed, aligned, and banded together. Care should be taken to make sure the slot is level to grade as well as in the proper longitudinal alignment. The pipe is then encased in concrete or lean concrete grout up to the top of the pipe. The finish course or pavement is then installed up to the top of the slot. Jensen Bridge & Supply Company's sales staff can assist you with special manufacturing or installation needs.

STANDARD DETAILS

AVAILABLE DIAMETERS:	12" through 30"
AVAILABLE THICKNESSES:	16 Gauge and 14 Gauge
STANDARD SLOT HEIGHTS:	2-1/2" and 6"
SLOT WIDTH:	1-3/4" inside
RECOMMENDED CONNECTORS:	Standard annular band
GRATING:	Expanded metal mesh when required (at extra cost)

STANDARD SPECIFICATIONS

ASTM A760	Corrugated Steel Pipe
AASHTO M36/M36M	Corrugated Steel Pipe
ASTM A36/A36M	Structural Steel Hot Rolled Shapes
ASTM A123	Galvanizing for Structural Fabricated Shapes



MAIN OFFICE

400 Stoney Creek Drive
P.O. Box 151
Sandusky, MI 48471
Phone: (810) 648-3000
Fax: (810) 648-3000

WAREHOUSE

3520 36th Street, S.E.
Grand Rapids, MI 49512
Phone: (616) 940-2660
Fax: (616) 940-0169

www.jensenbridge.com